

ROTARY - STANDARD

DESCRIPTION	LIST PRICE	PART NUMBER	TYPE
BMRX POWER PACS			
BMRX - 115 VAC - Rotary level indicator power pac featuring a triple-thread, screw-off cover, dual conduit entries, DPDT relay contacts, selectable fail-safe protection, FDA recognized powder coat finish, hazardous location approval, and C/US listed for Class I, Groups C & D and Class II, Groups E, F & G.	Call for price	730-0504 730-0504-EX 730-0569	Standard ATEX Process Connection
BMRX - 230 VAC - Rotary level indicator power pac featuring a triple-thread, screw-off cover, dual conduit entries, DPDT relay contacts, selectable fail-safe protection, FDA recognized powder coat finish, hazardous location approval, and C/US listed for Class I, Groups C & D and Class II, Groups E, F & G.	Call for price	730-0503 730-0503-EX 730-0570	Standard ATEX Process Connection
BMRX - 24 VAC - Rotary level indicator 24 VAC with dual conduit entries, DPDT relay contacts, selectable fail-safe protection, and FDA recognized powder coat finish, hazardous location approval, and C/US listed for Class I, Groups C & D and Class II, Groups E, F & G.	Call for price	730-0505 730-0505-EX	Standard ATEX
BMRX - 24 VDC - Rotary level indicator 12 to 24 VDC with dual conduit entries, DPDT relay contacts, selectable fail-safe protection, and FDA recognized powder coat finish, hazardous location approval, and C/US listed for Class I, Groups C & D and Class II, Groups E, F & G.	Call for price	730-0661 730-0661-EX 730-0664	Standard ATEX Process Connection
MAXIMA+ POWER PACS			
MAXIMA+ 24/115/230 VAC - Fail-safe rotary level indicator power pac with hazardous location approval, C/US listed for Class II, Groups E, F, & G and a visual LED status light monitoring paddle rotation, paddle covered, and fault conditions. Features a triple-thread, screw-off cover, dual conduit entries, DPDT relay contacts, fail-safe protection, SPDT normal and fault relay contact and FDA recognized powder coat finish.	Call for price	730-0528 730-0528-EX 730-0574	Standard ATEX Process Connection
MAXIMA+ 12-24 VDC - Fail-safe rotary level indicator power pac with hazardous location approval, C/US listed for Class II, Groups E, F, & G and a visual LED status light monitoring paddle rotation, paddle covered, and fault conditions. Features a triple-thread, screw-off cover, dual conduit entries, DPDT relay contacts, fail-safe protection, SPDT normal and fault relay contact and FDA recognized powder coat finish.	Call for price	730-0662 730-0662-EX 730-0665	Standard ATEX Process Connection

1: Standard
2: ATEX
3: Process Connection

ROTARY - STANDARD

DESCRIPTION	LIST PRICE	PART NUMBER	NOTES
FITTINGS			
GRPC-1 - 1-1/4" Stainless steel process connection fitting & o-ring for 1" coupled pipe guards	Call for price	416-0507	1, 2
GRPC-2 - 1-1/2" Stainless steel process connection fitting & o-ring for 1" coupled pipe guards	Call for price	416-0508	1, 2
GRPC-3 - 1-1/4" Aluminum process connection fitting & o-ring for 1" coupled pipe guards	Call for price	416-0505	1, 2
GRPC-4 - 1-1/2" Aluminum process connection fitting & o-ring for 1" coupled pipe guards	Call for price	416-0506	1, 2
SSPC-1 - 1-1/4" NPT Stainless steel process connection with bearing and seal	Call for price	416-0547	3
SSPC-2 - 1-1/2" NPT Stainless steel process connection with bearing and seal	Call for price	416-0548	3
SSPC-3 - 1-1/4" NPT Stainless steel process connection with bearing and seal, includes teflon bearing and grease packed bearings to provide additional corrosion resistance	Call for price	416-0736	3
COUPLINGS			
GRSS-1 - Solid shaft, stainless steel side mount coupler	Call for price	299-0004	1, 2, 3
GRFC-1 - Flexible stainless steel top mount coupler	Call for price	416-0155	1, 2
GRFS-1 - Molded neoprene, flexible shaft, stainless steel top mount coupler	Call for price	416-0283	1, 2
BSA - Bindicator stainless steel shaft adapter, to couple BinMaster rotary PowerPac to a Bindicator shaft coupler or Bindicator Paddle.	Call for price	416-0294	1, 2, 3
MOUNTING PLATES			
GRMP-1 - 0° Mild carbon steel half coupling 1.25" with black neoprene gasket	Call for price	730-0020	1, 2, 3
GRMP-2 - GRMP-2 - 0° Mild carbon steel full coupling 1.25", powder coated with black neoprene gasket	Call for price	730-0022	1, 2, 3
GRMP-3 - 0° Stainless steel half coupling 1.25" mounting plate with black neoprene gasket	Call for price	730-0021	1, 2, 3
GRMP-4 - 0° Stainless steel full coupling 1.25" with black neoprene gasket	Call for price	730-0023	1, 2, 3
GRMP-9 - 10° Mild carbon steel full coupling 1.25", powder coated with black neoprene gasket	Call for price	730-0489	1, 2, 3
GRMP-13 - 30° Mild carbon steel full coupling 1.25", powder coated with black neoprene gasket	Call for price	730-0508	1, 2, 3
GRMP-14 - 0° Mild carbon steel half coupling 1.25" with white silicone gasket	Call for price	730-0567	1, 2, 3
GRMP-15 - 0° Stainless steel full coupling 1.25" with white silicone gasket	Call for price	730-0568	1, 2, 3
GRMP-16 - 20° Mild carbon steel full coupling 1.25", powder coated with black neoprene gasket	Call for price	730-0663	1, 2, 3

- 1: Standard
- 2: ATEX
- 3: Process Connection

ROTARY - STANDARD

DESCRIPTION	LIST PRICE	PART NUMBER	NOTES
PADDLES			
GRP-1 - Triple-bladed, stainless steel paddle for light weight materials, paddle turns in a 7" diameter, blades are 2" wide	Call for price	416-0161	1, 2, 3
GRP-2 - Triple-bladed, stainless steel paddle for average weight materials, paddle turns in a 5" diameter, blades are 1-1/2" wide	Call for price	416-0152	1, 2, 3
GRP-3 - Single-blade, stainless steel paddle for average to heavy weight materials, paddle is 2-1/2" long and turns in a 5" diameter, insertable paddle blade is 1/8" thick and 1" wide	Call for price	416-0153	1, 2, 3
GRP-11 - High strength nylon paddle for lightweight materials, triple-bladed paddle turns in a 7" diameter, blades are 2" wide	Call for price	299-0009	1, 2, 3
GRP-12 - High strength nylon paddle for average weight materials, triple-bladed paddle turns in a 5" diameter, blades are 1.5" wide	Call for price	299-0010	1, 2, 3
GRP-22 - Triple-bladed, stainless steel paddle for average to heavy weight materials, turns in a 5" diameter, paddle blades are 1/8" thick and 1" wide	Call for price	416-0160	1, 2, 3
GRP-23 - Single bayonet blade, stainless steel paddle for high level control in light and medium materials and low level control in light materials, insertable paddle blade is 1/8" thick and 1" wide	Call for price	416-0154	1, 2, 3
GRP-24 - 12" Belt paddle for high level control in heavy materials with large particle size	Call for price	416-0259	1, 2, 3
GRP-25 - Triple-bladed, stainless steel paddle for very light materials, paddle turns in a 5" diameter, blades are 5" tall and 1/16" thick	Call for price	416-0261	1, 2, 3
GRP-26 - Triple-bladed, stainless steel paddle for light weight materials, paddle turns in a 7" diameter, blades are 2" wide, direct connect paddle that eliminates the need for GRSS-1 coupler	Call for price	416-0265	1, 2, 3
GRP-27 - Single bayonet blade, stainless steel paddle for high level control in light and medium materials and low level control in light materials, insertable paddle blade is 1/8" thick and 1" wide, direct connect paddle that eliminates the need for GRSS-1 coupler	Call for price	416-0266	1, 2, 3
GRP-28 - Triple-bladed, stainless steel paddle for extremely light materials, paddle turns in a 7" diameter, blades are 5" tall and 1/16" thick	Call for price	416-0336	1, 2, 3
GRP-29 - Triple-bladed, stainless steel paddle for very light materials, paddle turns in a 5" diameter, blades are 5" tall and 1/16" thick, direct connect paddle that eliminates the need for GRSS-1 coupler	Call for price	416-0430	1, 2, 3
GRP-30 - Triple-bladed, stainless steel paddle for average weight materials, paddle turns in a 5" diameter, blades are 1-1/2" wide, direct connect paddle that eliminates the need for GRSS-1 coupler	Call for price	416-0100	1, 2, 3
GRP-31 - Single-bladed, stainless steel paddle for medium to heavy materials, paddle turns in a 6.5" diameter, blade is 3.25" long, 1.63" wide and 1/8" thick	Call for price	416-0487	1, 2, 3
GRP-34 - Folding, single-bladed, insertable paddle for medium materials will fold to insert through a 1-1/4" or 1-1/2" process connection, turns in a 7.5" diameter, blades are 1-1/2" wide, direct connect paddle that eliminates the need for GRSS-1 coupler	Call for price	416-0513	1, 2, 3
GRP-35 - Folding, double-bladed, insertable paddle for medium materials will fold to insert through a 1-1/4" or 1-1/2" process connection, turns in a 7.5" diameter, blades are 1-1/2" wide, direct connect paddle that eliminates the need for GRSS-1 coupler	Call for price	416-0514	1, 2, 3
GRP-36 - Threaded, folding, single-bladed, insertable paddle for medium materials will fold to insert through a 1-1/4" or 1-1/2" process connection, turns in a 7.5" diameter, blades are 1-1/2" wide, for use with standard threaded coupler	Call for price	416-0556	1, 2, 3
GRP-37 - Threaded, folding, double-bladed, insertable paddle for medium materials will fold to insert through a 1-1/4" or 1-1/2" process connection, turns in a 7.5" diameter, blades are 1-1/2" wide, for use with standard threaded coupler	Call for price	416-0557	1, 2, 3

1: Standard

2: ATEX

3: Process Connection

ROTARY - STANDARD

DESCRIPTION	LIST PRICE	PART NUMBER	NOTES
SHAFT EXTENSIONS			
<i>Galvanized</i>			
6" x 1/4"Ø Galvanized shaft extension, includes paddle coupling	Call for price	299-0407	1, 2
12" x 1/4"Ø Galvanized shaft extension, includes paddle coupling	Call for price	299-0408	1, 2
15" x 1/4"Ø Galvanized shaft extension, includes paddle coupling	Call for price	299-0907	1, 2
18" x 1/4"Ø Galvanized shaft extension, includes paddle coupling	Call for price	299-0409	1, 2
24" x 1/4"Ø Galvanized shaft extension, includes paddle coupling	Call for price	299-0410	1, 2
30" x 1/4"Ø Galvanized shaft extension, includes paddle coupling	Call for price	299-0682	1, 2
36" x 1/4"Ø Galvanized shaft extension, includes paddle coupling	Call for price	299-0411	1, 2
48" x 1/4"Ø Galvanized shaft extension, includes paddle coupling	Call for price	299-0412	1, 2
60" x 1/4"Ø Galvanized shaft extension, includes paddle coupling	Call for price	299-0609	1, 2
63" x 1/4"Ø Galvanized shaft extension, includes paddle coupling	Call for price	299-0610	1, 2
72" x 1/4"Ø Galvanized shaft extension, includes paddle coupling	Call for price	299-0611	1, 2
84" x 1/4"Ø Galvanized shaft extension, includes paddle coupling	Call for price	299-0612	1, 2
XX x 1/4"Ø Custom Galvanized shaft extension, includes paddle coupling*	Call for price	999-1000-XX	1, 2
<i>Stainless Steel</i>			
6" x 1/4"Ø Stainless steel shaft extension, includes paddle coupling	Call for price	299-0413	1, 2
12" x 1/4"Ø Stainless steel shaft extension, includes paddle coupling	Call for price	299-0414	1, 2
15" x 1/4"Ø Stainless steel shaft extension, includes paddle coupling	Call for price	299-0908	1, 2
18" x 1/4"Ø Stainless steel shaft extension, includes paddle coupling	Call for price	299-0415	1, 2
24" x 1/4"Ø Stainless steel shaft extension, includes paddle coupling	Call for price	299-0416	1, 2
30" x 1/4"Ø Stainless steel shaft extension, includes paddle coupling	Call for price	299-0735	1, 2
36" x 1/4"Ø Stainless steel shaft extension, includes paddle coupling	Call for price	299-0417	1, 2
48" x 1/4"Ø Stainless steel shaft extension, includes paddle coupling	Call for price	299-0418	1, 2
60" x 1/4"Ø Stainless steel shaft extension, includes paddle coupling	Call for price	299-0634	1, 2
72" x 1/4"Ø Stainless steel shaft extension, includes paddle coupling	Call for price	299-0636	1, 2
84" x 1/4"Ø Stainless steel shaft extension, includes paddle coupling	Call for price	299-0637	1, 2
XX x 1/4"Ø Custom Stainless steel shaft extension, includes paddle coupling*	Call for price	999-1001-XX	1, 2
SHAFT GUARDS			
<i>1-1/4" Galvanized</i>			
6" x 1-1/4" Diameter Galvanized shaft guard	Call for price	299-0909	1, 2
12" x 1-1/4" Diameter Galvanized shaft guard	Call for price	299-0910	1, 2
15" x 1-1/4" Diameter Galvanized shaft guard	Call for price	299-0911	1, 2
18" x 1-1/4" Diameter Galvanized shaft guard	Call for price	299-0681	1, 2
24" x 1-1/4" Diameter Galvanized shaft guard	Call for price	299-0419	1, 2
30" x 1-1/4" Diameter Galvanized shaft guard	Call for price	299-0736	1, 2
36" x 1-1/4" Diameter Galvanized shaft guard	Call for price	299-0420	1, 2
48" x 1-1/4" Diameter Galvanized shaft guard	Call for price	299-0421	1, 2

1: Standard
 2: ATEX
 3: Process Connection

* \$25 Minimum on Custom Guard or Shaft Lengths

ROTARY - STANDARD

DESCRIPTION	LIST PRICE	PART NUMBER	NOTES
SHAFT GUARDS			
<i>1-1/4" Galvanized</i>			
60" x 1-1/4" Diameter Galvanized shaft guard	Call for price	299-0613	1, 2
63" x 1-1/4" Diameter Galvanized shaft guard	Call for price	299-0614	1, 2
72" x 1-1/4" Diameter Galvanized shaft guard	Call for price	299-0615	1, 2
84" x 1-1/4" Diameter Galvanized shaft guard	Call for price	299-0616	1, 2
XX x 1-1/4" Custom Diameter Galvanized shaft guard*	Call for price	999-1002-XX	1, 2
SHAFT GUARDS			
<i>1-1/4" Stainless Steel</i>			
6" x 1-1/4" Diameter Stainless steel shaft guard	Call for price	299-0912	1, 2
12" x 1-1/4" Diameter Stainless steel shaft guard	Call for price	299-0913	1, 2
15" x 1-1/4" Diameter Stainless steel shaft guard	Call for price	299-0914	1, 2
18" x 1-1/4" Diameter Stainless steel shaft guard	Call for price	299-0737	1, 2
24" x 1-1/4" Diameter Stainless steel shaft guard	Call for price	299-0422	1, 2
30" x 1-1/4" Diameter Stainless steel shaft guard	Call for price	299-0738	1, 2
36" x 1-1/4" Diameter Stainless steel shaft guard	Call for price	299-0423	1, 2
48" x 1-1/4" Diameter Stainless steel shaft guard	Call for price	299-0424	1, 2
60" x 1-1/4" Diameter Stainless steel shaft guard	Call for price	299-0638	1, 2
63" x 1-1/4" Diameter Stainless steel shaft guard	Call for price	299-0639	1, 2
72" x 1-1/4" Diameter Stainless steel shaft guard	Call for price	299-0640	1, 2
84" x 1-1/4" Diameter Stainless steel shaft guard	Call for price	299-0641	1, 2
XX x 1-1/4" Custom Diameter Stainless steel shaft guard*	Call for price	999-1003-XX	1, 2
<i>1" Galvanized</i>			
4" x 1" Diameter Galvanized shaft guard	Call for price	299-0915	1, 2
6" x 1" Diameter Galvanized shaft guard	Call for price	299-0916	1, 2
8" x 1" Diameter Galvanized shaft guard	Call for price	299-0917	1, 2
10" x 1" Diameter Galvanized shaft guard	Call for price	299-0918	1, 2
12" x 1" Diameter Galvanized shaft guard	Call for price	299-0919	1, 2
15" x 1" Diameter Galvanized shaft guard	Call for price	299-0920	1, 2
18" x 1" Diameter Galvanized shaft guard	Call for price	299-0921	1, 2
24" x 1" Diameter Galvanized shaft guard	Call for price	299-0922	1, 2
30" x 1" Diameter Galvanized shaft guard	Call for price	299-0923	1, 2
36" x 1" Diameter Galvanized shaft guard	Call for price	299-0924	1, 2
48" x 1" Diameter Galvanized shaft guard	Call for price	299-0925	1, 2
60" x 1" Diameter Galvanized shaft guard	Call for price	299-0926	1, 2
72" x 1" Diameter Galvanized shaft guard	Call for price	299-0927	1, 2
XX x 1" Custom Diameter Galvanized shaft guard*	Call for price	299-0928-XX	1, 2

1: Standard
 2: ATEX
 3: Process Connection

* \$25 Minimum on Custom Guard or Shaft Lengths

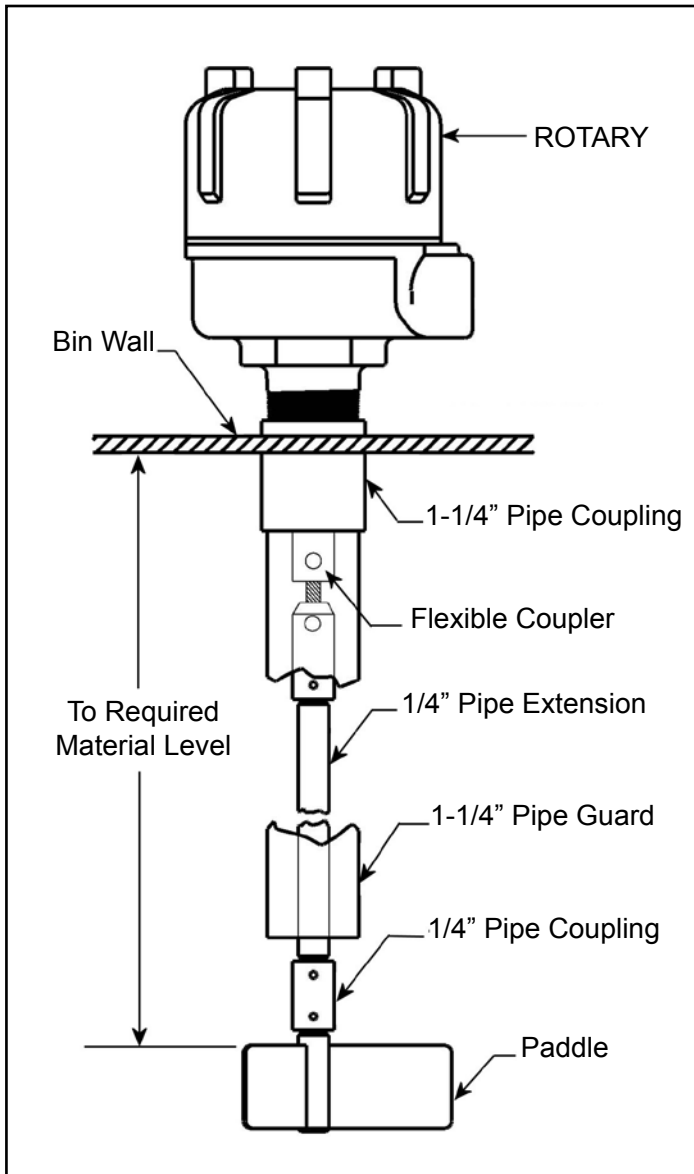
ROTARY - STANDARD

DESCRIPTION	LIST PRICE	PART NUMBER	NOTES
SHAFT GUARDS			
<i>1" Stainless Steel</i>			
6" x 1" Diameter Stainless steel shaft guard	Call for price	299-0760	1, 2
12" x 1" Diameter Stainless steel shaft guard	Call for price	299-0761	1, 2
15" x 1" Diameter Stainless steel shaft guard	Call for price	299-0762	1, 2
18" x 1" Diameter Stainless steel shaft guard	Call for price	299-0763	1, 2
24" x 1" Diameter Stainless steel shaft guard	Call for price	299-0764	1, 2
30" x 1" Diameter Stainless steel shaft guard	Call for price	299-0765	1, 2
36" x 1" Diameter Stainless steel shaft guard	Call for price	299-0766	1, 2
48" x 1" Diameter Stainless steel shaft guard	Call for price	299-0767	1, 2
60" x 1" Diameter Stainless steel shaft guard	Call for price	299-0768	1, 2
72" x 1" Diameter Stainless steel shaft guard	Call for price	299-0769	1, 2
XX x 1" Custom Diameter Stainless steel shaft guard*	Call for price	299-0929-XX	1, 2
ACCESSORIES			
Rotary fitting to allow 1" guard pipe extensions to be adjusted for variable insertion lengths. The fitting threads into BinMaster 1 1/4" mounting plate and has set screws to allow variable height adjustments.	Call for price	416-0641	1, 2
1-1/4" Galvanized NPT female coupler to attach guard pipes together	Call for price	201-9010	1, 2
1-1/4" Stainless steel NPT female coupler to attach guard pipes together	Call for price	201-9033	1, 2
1" Aluminum NPT female coupler to attach guard pipes together	Call for price	201-9034	1, 2
1" Stainless steel NPT female coupler to attach guard pipes together	Call for price	201-9035	1, 2
1/4" Galvanized NPT female coupler to attach paddle to shaft extensions or shaft extensions together	Call for price	201-9028	1, 2
1/4" SS NPT female coupler to attach paddle to shaft extensions or shaft extensions together	Call for price	201-9029	1, 2
1/4" Aluminum NPT female coupler to attach paddle to shaft extensions or shaft extensions together	Call for price	201-9036	1, 2

1: Standard
 2: ATEX
 3: Process Connection

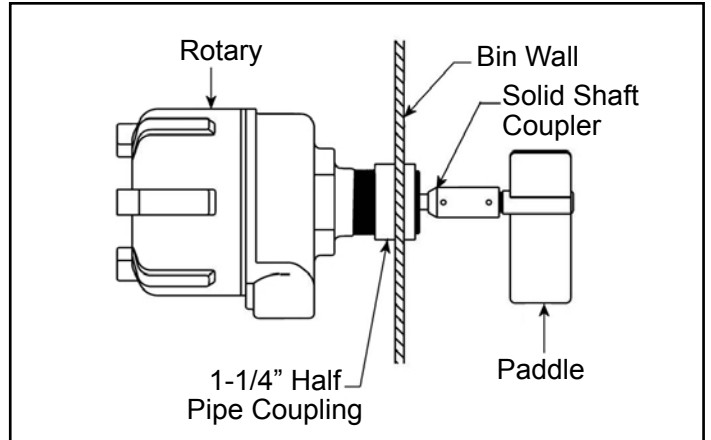
* \$25 Minimum on Custom Guard or Shaft Lengths

ROTARY



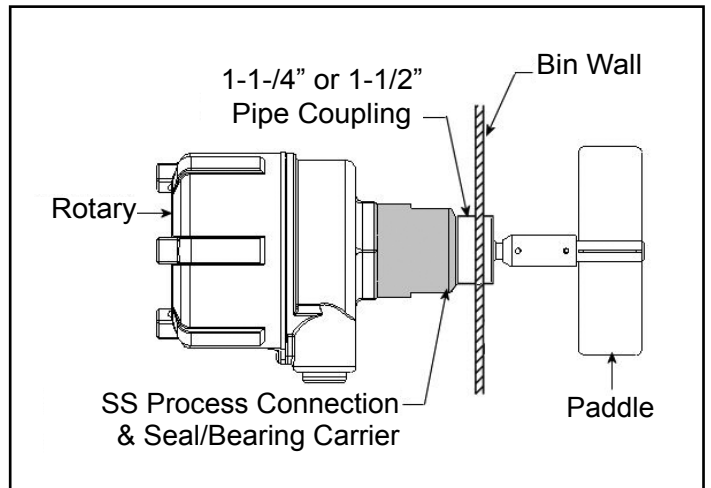
Standard Extended Vertical Mounted Rotary

Standard mounted rotary for straight vertical installations. Angled mounting plates are available for sloped roof installations. The pipe guards and extensions are available in both galvanized or stainless steel.



Standard Horizontal or Vertical Mounted Rotary

Standard mounted rotary for vertical, horizontal and angled installations



Standard Horizontal or Vertical Mounted Rotary with Optional SS Process Connection Bearing Carrier

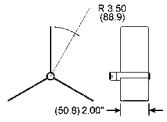
The optional stainless steel process connection and seal/bearing carrier is used in corrosive applications. All parts in contact with the materials in the bin are stainless steel.

ROTARY

Paddle Assemblies

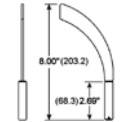
GRP-1

Stainless steel for light materials, 3-vane paddle, turns in 7" diameter.



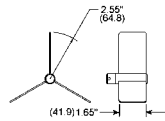
GRP-27

Direct connect version of GRP-23 paddle for medium materials. Insertable, single bayonet style, stainless steel, blade is 1/8" thick and 1" wide (side mounting only).



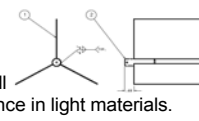
GRP-2

Stainless steel for medium materials, 3-vane paddle, turns in 5" diameter.



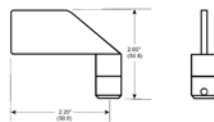
GRP-28

Stainless steel for extremely light materials, 3-vane, 7" diameter for added resistance, blades are 5" tall and 1/16" thick to increase resistance in light materials.



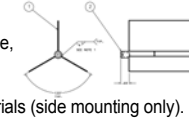
GRP-3

Stainless steel for heavy materials, single vane, turns in 5" diameter, insertable through a 1-1/4" or 1-1/2" NPT opening.



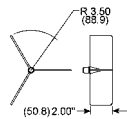
GRP-29

Direct connect version of GRP-25, 3-vane, stainless steel paddle for very light materials, paddles are 5" tall and 1/16" thick to increase resistance in light materials (side mounting only).



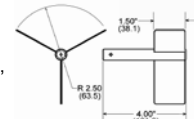
GRP-11

Economical nylon paddle for light materials, 3-vane paddle, turns in 7" diameter.



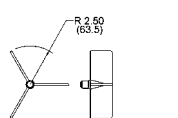
GRP-30

Direct connect version of GRP-2 for medium materials, 3-vane paddle, stainless steel, turns in 5" diameter, (side mounting only).



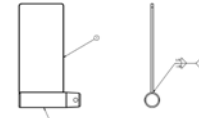
GRP-12

Economical nylon paddle for medium materials 3-vane paddle, turns in 5" diameter.



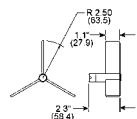
GRP-31

Stainless steel, single-bladed, 3-1/4" long for heavy materials, turns in 6-1/2" diameter, blade is 1/8" thick and 1.63" wide.



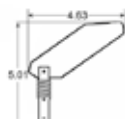
GRP-22

Stainless steel for heavy materials, 3-vane paddle, turns in 5" diameter.



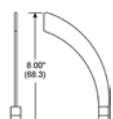
GRP-34

Stainless steel, single-bladed, direct connect, insertable paddle, folds to insert through a 1-1/4" or 1-1/2" NPT opening, turns in 7-1/2" diameter. Paddle blades are 1-1/2" wide.



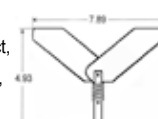
GRP-23

Stainless steel single bayonet style paddle, turns in 5" diameter. Insertable through a 1-1/4" or 1-1/2" NPT opening.



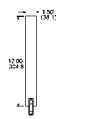
GRP-35

Stainless steel, double-bladed, direct connect, insertable paddle, folds to insert through a 1-1/4" or 1-1/2" NPT opening, turns in 7-1/2" diameter, paddles blades are 1-1/2" wide.



GRP-24

12" belt paddle for use in heavy material with large particulate size such as rock, coal or aggregate.



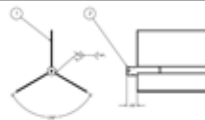
GRP-36

Stainless steel, single-bladed, threaded, insertable paddle, folds to insert through a 1-1/4" or 1-1/2" NPT opening, turns in 7-1/2" diameter, paddles blades are 1-1/2" wide.



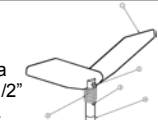
GRP-25

Stainless steel for very light materials, 3-vane, paddles are 5" tall and 1/16" thick to increase resistance in light materials.



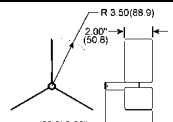
GRP-37

Stainless steel, double-bladed, threaded, insertable paddle, folds to insert through a 1-1/4" or 1-1/2" NPT opening, turns in 7-1/2" diameter, paddles blades are 1-1/2" wide.



GRP-26

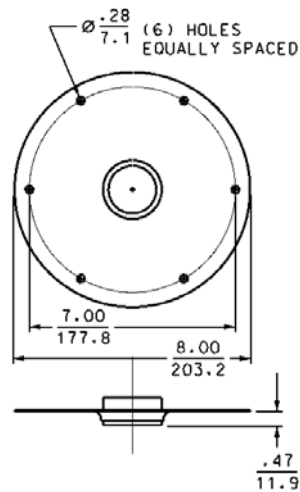
Direct connect version of GRP-1 for light materials, 3-vane, stainless steel, 7" diameter with blades that are 2" wide (side mounting only).



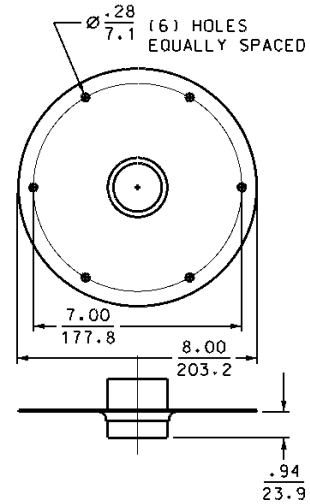
ROTARY

Mounting Plates

Mounting plates allow the rotary units to be mounted from the outside of a vessel on a curved or flat surface. A half coupling mounting plate is used in side mount installations. A full coupling mounting plate is for use in top mount installations where a shaft extension and shaft guards are required. Both mounting plates are available in powder coated carbon steel and stainless steel for use in corrosive environments.



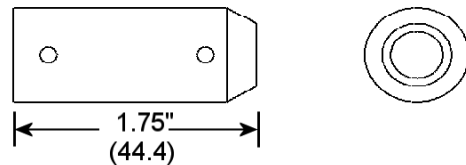
Half Coupling Mounting Plate



Full Coupling Mounting Plate

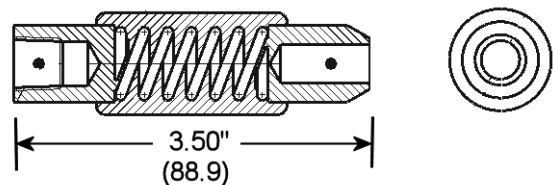
Solid Shaft Coupler

A short solid shaft coupler should be used in side mount installations.



Flexible Shaft Coupler

The flexible coupler should be used in top mount installations to absorb side loads and protect the internal workings of the unit.



ROTARY

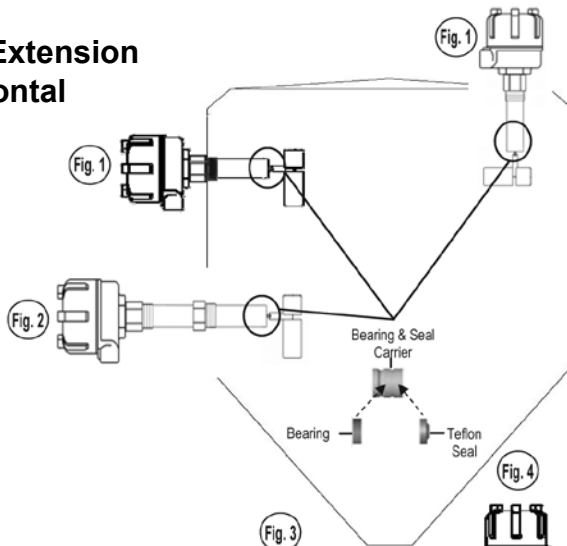


Vertical
Mounted
Flexible
Hanging
Rotary
Extension

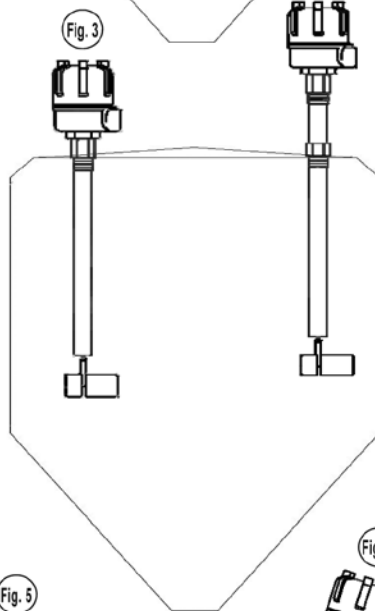


ROTARY

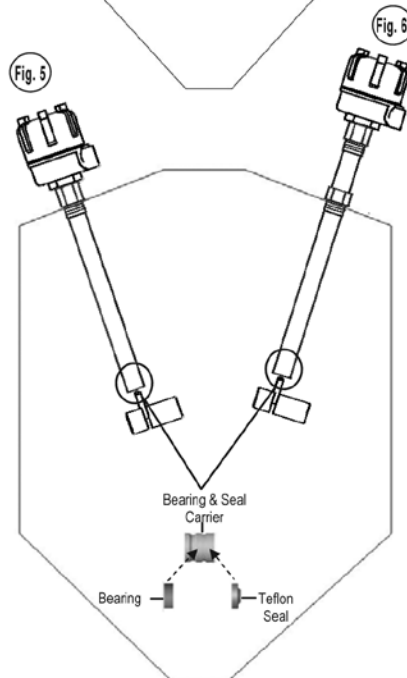
Pipe Extension Horizontal



Pipe Extension Vertical



Pipe Extension Vertical or Angled



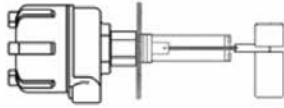
This extension was designed for horizontal applications that need the paddle extended from 6 to 12 inches from the vessel sidewall without compromising any strength. A bearing and shaft seal are at the shaft guard end to center the shaft extension and prevent material from getting up into shaft guard. This unit can also be installed in angled hoppers or vertically from the top. A single vane folding insertable paddle is recommended. This paddle will collapse to fit through a standard 1-1/4" or 1-1/2" process connection from outside the vessel, eliminating the need to cut large holes or go into the vessel. A heat tube is available for high temperature applications.

This extension was designed to extend vertically with a 1" shaft guard and 1/4" shaft extension. The shaft guard is coupled directly into the process connection so it can be mounted without having to use a full coupling mounting plate. A double vane folding insertable paddle is recommended. This paddle will collapse to fit through a standard 1-1/4" or 1-1/2" process connection from outside the vessel, eliminating the need to cut large holes or gain access into the vessel. It also allows you to simply drop in a rotary where another kind of technology may not be working well in your application. A heat tube is available for high temperature applications.

This extension was designed for angled vertical applications. A bearing and shaft seal are at the shaft guard end to center the shaft extension and prevent material from getting up into shaft guard. The shaft guard is coupled directly into the process connection so it can be mounted without having to use a full coupling mounting plate. A double or single vane folding insertable paddle is recommended. This paddle will collapse to fit through a standard 1-1/4" or 1-1/2" process connection from outside the vessel, eliminating the need to cut large holes or gain access into the vessel. A heat tube is available for high temperature applications.

ROTARY

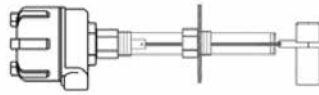
Fig. 1



Extended Horizontal or Vertical Mounted Rotary *with* Seal and Bearing at Tube End

Extended rotary with 1" protection tube for vertical, horizontal and angled installations. Comes in 6", 8", 10", or 12" fixed insertion lengths.

Fig. 2



Extended Horizontal or Vertical Mounted Rotary *with* Seal and Bearing at Tube End and Heat Tube

Extended rotary with 1" protection tube and heat tube for high temp. vertical, horizontal and angled installations. Heat tube comes in 8" or 12" lengths. Protection tube comes in 6", 8", 10" or 12" fixed insertion lengths.

Fig. 3



Coupled Extended Vertical Mounted Rotary *without* Seal and Bearing at Tube End

Extended rotary with 1" shaft guard for straight vertical installations. The shaft guard is coupled directly into the process connection so it can be inserted through a 1-1/4" or 1-1/2" fitting.

Fig. 4



Coupled Extended Vertical Mounted Rotary *without* Seal and Bearing at Tube End and Heat Tube

Extended rotary with 1" shaft guard and heat tube for high temp. Straight vertical installations. The shaft guard is coupled directly into the process connection so it can be inserted through a 1-1/4" or 1-1/2" fitting.

Fig. 5



Coupled Extended Vertical Mounted Rotary *with* Seal and Bearing at Tube End

Extended rotary with 1" shaft guard for straight vertical and angled installations. The shaft guard is coupled directly into the process connection so it can be inserted through a 1-1/4" or 1-1/2" fitting.

Fig. 6



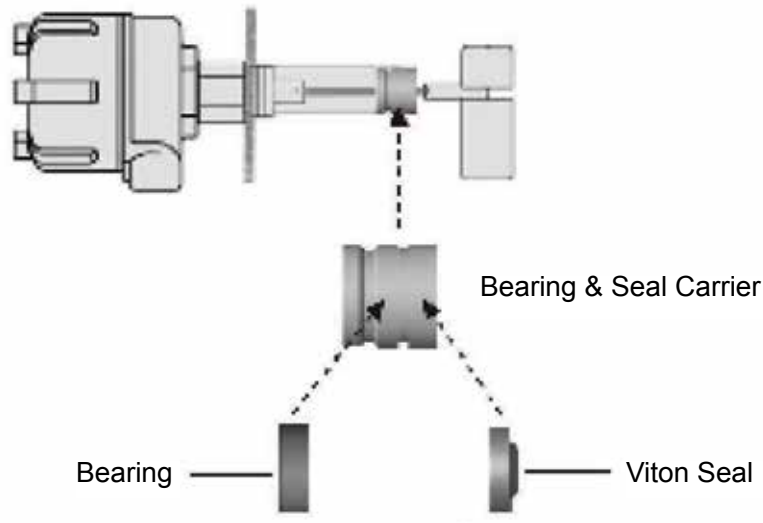
Coupled Extended Vertical Mounted Rotary *with* Seal and Bearing at Tube End and Heat Tube

Extended rotary with 1" protection tube and heat tube for high temp. Straight vertical and angled installations. The shaft guard is coupled directly into the process connection so it can be inserted through a 1-1/4" or 1-1/2" fitting.

ROTARY

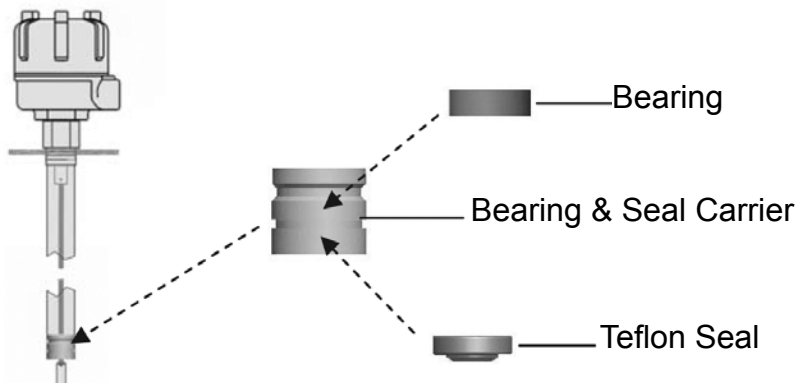
Bearing and Viton Seal at Tube End

The bearing and Viton seal are used to keep the shaft centered and turning without restraint when mounting from the top of a vessel at an angle, or horizontally. It also seals the shaft guard so no material can be forced up into the pipe. The bearing and Viton seal can operate in temperatures up to 500°F (260°C).



Bearing and Teflon Seal at Tube End

The bearing and Teflon seal are used to keep the shaft centered and turning without restraint when mounting from the top of a vessel at an angle, or horizontally. It also seals the shaft guard so no material can be forced up into the pipe. The bearing and Teflon seal can operate in temperatures up to 500°F (260°C).



ROTARY - CUSTOM

Mark X if none									
Sample									
BX1X.	B	A	A	1	A	S	06	S06	PO1

- Paddles - (Use XXX if none)**
P01: GRP-1 - Triple-bladed, stainless steel paddle
P02: GRP-2 - Triple-bladed, stainless steel paddle
P03: GRP-3 - Single-blade, stainless steel paddle
P11: GRP-11 - High strength nylon paddle
P12: GRP-12 - High strength nylon paddle
P22: GRP-22 - Triple-bladed, stainless steel paddle
P23: GRP-23 - Single bayonet blade, SS paddle
P24: GRP-24 - 12" Belt paddle
P25: GRP-25 - Triple-bladed, stainless steel paddle
P26: GRP-26 - Triple-bladed, stainless steel paddle
P27: GRP-27 - Single bayonet blade, SS paddle
P28: GRP-28 - Triple-bladed, stainless steel paddle
P29: GRP-29 - Triple-bladed, stainless steel paddle
P30: GRP-30 - Triple-bladed, stainless steel paddle
P31: GRP-31 - Single-bladed, stainless steel paddle
P34: GRP-34 - Folding, single-bladed, insertable paddle
P35: GRP-35 - Folding, double-bladed, insertable paddle
P36: GRP-36 - Folding, single-bladed, insertable paddle
P37: GRP-37 - Folding, double-bladed, insertable paddle

- Guard Extensions (XXX if none)**
AXX: 1" Aluminum Guard Pipe - Custom Length (1)
SXX: 1" Stainless Steel Guard Pipe - Custom Length (1)
GXX: 1-1/4" Galvanized guard pipe (2)
SXX: 1-1/4" Stainless steel guard pipe (2)

- Shaft Extensions**
XX: In. of 5/8" Stainless steel shaft extension (1)
XX: Ft. of hanging rotary extension 5/16" 316 SS (2)
XX: Ft. of hanging rotary extension 5/16" 316 SS FDA Covered (2)

- Coupling - (Use X if none)**
S: GRSS-1 - Solid shaft, SS side mount coupler (1)

- Mounting Plates - (Use X if none)**
A: GRMP-1 - 0° Mount Plate CS - 1/2 Coupling 1.25"
B: GRMP-2 - 0° Mount Plate CS - Full Coupling 1.25"
C: GRMP-3 - 0° Mount Plate SS - 1/2 Coupling 1.25"
D: GRMP-4 - 0° Mount Plate SS - Full Coupling 1.25"
I: GRMP-9 - 10° Mount Plate CS - Full Coupling 1.25"

- M:** GRMP-13 - 30° Mount Plate CS - Full Coupling 1.25"
N: GRMP-14 - 0° Mount Plate CS - 1/2 Coupling 1.25"
Z: GRMP-15 - 0° Mount Plate SS - Full Coupling 1.25"
P: GRMP-16 - 20° Mount Plate CS - Full Coupling 1.25"

- Heat Tube Fittings - (Use X if none)**
1: 1.25" SS Rotary Heat Tube Coupling (1)
2: 1.50" SS Rotary Heat Tube Coupling (1)

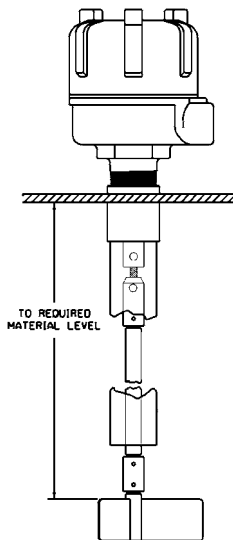
- Heat Tubes - (Use X if none)**
A: 6" Aluminum Heat Tube (1) **B:** 6" Stainless Steel Heat Tube (1)
C: 8" Aluminum Heat Tube (1) **D:** 8" Stainless Steel Heat Tube (1)
E: 12" Aluminum Heat Tube (1) **F:** 12" Stainless Steel Heat Tube (1)

- Fittings - (Use XX if none)**
A: RPC-1 - 1-1/4" SS fitting for 1" pipe guard (1)
B: GRPC-2 - 1-1/2" SS fitting for 1" pipe guards (1)
C: GRPC-3 - 1-1/4" Alum. fitting for 1" pipe guards (1)
D: GRPC-4 - 1-1/2" Alum. fitting for 1" pipe guards (1)

- Shaft Type**
B: Bearing End - 5/8" Stainless steel shaft extension (1)
H: Hanging rotary extension 5/16" 316 SS (2)
F: Hanging rotary extension 5/16" 316 SS FDA Covered (2)

- Power Pacs**
BX1X.: BMRX - 115 VAC
BX2X.: BMRX - 230 VAC
BX3X.: BMRX - 24 VDC
BX4X.: BMRX - 24 VAC
MX1X.: MAXIMA+ - 24/115/230 VAC
MX2X.: MAXIMA+ - 24 VDC

- BX1A.:** BMRX - 115 VAC - ATEX
BX2A.: BMRX - 230 VAC - ATEX
BX3A.: BMRX - 24 VDC - ATEX
BX4A.: BMRX - 24 VAC - ATEX
MX1A.: MAXIMA+ - 24/115/230 VAC - ATEX
MX2A.: MAXIMA+ - 24 VDC - ATEX



1: Custom Bearing End
2: Custom Hanging

ROTARY - CUSTOM

ORDER CODE	DESCRIPTION	LIST PRICE	NOTES
POWER PACS			
BX1X.	BMRX - 115 VAC - Rotary level indicator power pac featuring a triple-thread, screw-off cover, dual conduit entries, DPDT relay contacts, selectable fail-safe protection, FDA recognized powder coat finish, hazardous location approval, and C/US listed for Class I, Groups C & D and Class II, Groups E, F & G.	Call for price	1, 2
BX2X.	BMRX - 230 VAC - Rotary level indicator power pac featuring a triple-thread, screw-off cover, dual conduit entries, DPDT relay contacts, selectable fail-safe protection, FDA recognized powder coat finish, hazardous location approval, and C/US listed for Class I, Groups C & D and Class II, Groups E, F & G.	Call for price	1, 2
BX3X.	BMRX - 24 VDC - Rotary level indicator 12 to 24 VDC with dual conduit entries, DPDT relay contacts, selectable fail-safe protection, and FDA recognized powder coat finish, hazardous location approval, and C/US listed for Class I, Groups C & D and Class II, Groups E, F & G.	Call for price	1, 2
BX4X.	BMRX - 24 VAC - Rotary level indicator 24 VAC with dual conduit entries, DPDT relay contacts, selectable fail-safe protection, and FDA recognized powder coat finish, hazardous location approval, and C/US listed for Class I, Groups C & D and Class II, Groups E, F & G.	Call for price	1, 2
MX1X.	MAXIMA+ 24/115/230 VAC - Fail-safe rotary level indicator power pac with hazardous location approval, C/US listed for Class II, Groups E, F, & G and a visual LED status light monitoring paddle rotation, paddle covered, and fault conditions. Features a triple-thread, screw-off cover, dual conduit entries, DPDT relay contacts, fail-safe protection, SPDT normal and fault relay contact and FDA recognized powder coat finish.	Call for price	1, 2
MX2X.	MAXIMA+ 12-24 VDC - Fail-safe rotary level indicator power pac with hazardous location approval, C/US listed for Class II, Groups E, F, & G and a visual LED status light monitoring paddle rotation, paddle covered, and fault conditions. Features a triple-thread, screw-off cover, dual conduit entries, DPDT relay contacts, fail-safe protection, SPDT normal and fault relay contact and FDA recognized powder coat finish.	Call for price	1, 2
BX1A.	BMRX - 115 VAC - ATEX - Rotary level indicator power pac featuring a triple-thread, screw-off cover, dual conduit entries, DPDT relay contacts, selectable fail-safe protection, FDA recognized powder coat finish, hazardous location approval, and C/US listed for Class I, Groups C & D and Class II, Groups E, F & G.	Call for price	1, 2
BX2A	BMRX - 230 VAC - ATEX - Rotary level indicator power pac featuring a triple-thread, screw-off cover, dual conduit entries, DPDT relay contacts, selectable fail-safe protection, FDA recognized powder coat finish, hazardous location approval, and C/US listed for Class I, Groups C & D and Class II, Groups E, F & G.	Call for price	1, 2
BX3A	BMRX - 24 VDC - ATEX - Rotary level indicator 12 to 24 VDC with dual conduit entries, DPDT relay contacts, selectable fail-safe protection, and FDA recognized powder coat finish, hazardous location approval, and C/US listed for Class I, Groups C & D and Class II, Groups E, F & G.	Call for price	1, 2
BX4A.	BMRX - 24 VAC - ATEX - Rotary level indicator 24 VAC with dual conduit entries, DPDT relay contacts, selectable fail-safe protection, and FDA recognized powder coat finish, hazardous location approval, and C/US listed for Class I, Groups C & D and Class II, Groups E, F & G.	Call for price	1, 2
MX1A.	MAXIMA+ 24/115/230 VAC - ATEX - Fail-safe rotary level indicator power pac with hazardous location approval, C/US listed for Class II, Groups E, F, & G and a visual LED status light monitoring paddle rotation, paddle covered, and fault conditions. Features a triple-thread, screw-off cover, dual conduit entries, DPDT relay contacts, fail-safe protection, SPDT normal and fault relay contact and FDA recognized powder coat finish.	Call for price	1, 2
MX2A.	MAXIMA+ 12-24 VDC - ATEX - Fail-safe rotary level indicator power pac with hazardous location approval, C/US listed for Class II, Groups E, F, & G and a visual LED status light monitoring paddle rotation, paddle covered, and fault conditions. Features a triple-thread, screw-off cover, dual conduit entries, DPDT relay contacts, fail-safe protection, SPDT normal and fault relay contact and FDA recognized powder coat finish.	Call for price	1, 2
TYPES			
B	Bearing End - 5/8" Stainless steel shaft extension	Call for price	1
H	Hanging rotary extension 5/16" 316 SS	Call for price	2
F	Hanging rotary extension 5/16" 316 SS FDA Covered	Call for price	2

1: Custom Bearing End

2: Custom Hanging

ROTARY - CUSTOM

ORDER CODE	DESCRIPTION	LIST PRICE	NOTES
FITTINGS			
BA	GRPC-1 - 1-1/4" Stainless steel process connection fitting & o-ring for 1" coupled pipe guards	Call for price	1
BB	GRPC-2 - 1-1/2" Stainless steel process connection fitting & o-ring for 1" coupled pipe guards	Call for price	1
BC	GRPC-3 - 1-1/4" Aluminum process connection fitting & o-ring for 1" coupled pipe guards	Call for price	1
BD	GRPC-4 - 1-1/2" Aluminum process connection fitting & o-ring for 1" coupled pipe guards	Call for price	1
HEAT TUBES			
A	6" Aluminum heat tube for rotaries in high temperature applications.	Call for price	1
C	8" Aluminum heat tube for rotaries in high temperature applications.	Call for price	1
E	12" Aluminum heat tube for rotaries in high temperature applications.	Call for price	1
B	6" Stainless Steel heat tube for rotaries in high temperature applications.	Call for price	1
D	8" Stainless Steel heat tube for rotaries in high temperature applications.	Call for price	1
F	12" Stainless Steel heat tube for rotaries in high temperature applications.	Call for price	1
HEAT TUBE FITTINGS			
1	1.25" SS Rotary Heat Tube Coupling	Call for price	1
2	1.50" SS Rotary Heat Tube Coupling	Call for price	1
MOUNTING PLATES			
A	GRMP-1 - 0° Mild carbon steel half coupling 1.25" with black neoprene gasket	Call for price	1, 2
B	GRMP-2 - GRMP-2 - 0° Mild carbon steel full coupling 1.25", powder coated with black neoprene gasket	Call for price	1, 2
C	GRMP-3 - 0° Stainless steel half coupling 1.25" mounting plate with black neoprene gasket	Call for price	1, 2
D	GRMP-4 - 0° Stainless steel full coupling 1.25" with black neoprene gasket	Call for price	1, 2
I	GRMP-9 - 10° Mild carbon steel full coupling 1.25", powder coated with black neoprene gasket	Call for price	1, 2
M	GRMP-13 - 30° Mild carbon steel full coupling 1.25", powder coated with black neoprene gasket	Call for price	1, 2
N	GRMP-14 - 0° Mild carbon steel half coupling 1.25" with white silicone gasket	Call for price	1, 2
Z	GRMP-15 - 0° Stainless steel full coupling 1.25" with white silicone gasket	Call for price	1, 2
P	GRMP-16 - 20° Mild carbon steel full coupling 1.25", powder coated with black neoprene gasket	Call for price	1, 2
COUPLING			
S	GRSS-1 - Solid shaft, stainless steel side mount coupler	Call for price	1, 2
SHAFT EXTENSIONS			
	in. of 3/8" Stainless steel shaft extension, includes paddle coupling	Call for price	1&B
	ft. of vertical mounted flexible hanging rotary extension, single flexible Ø 5/16" (8 mm) 316 stainless steel cable with counterweight and coupler to attach power pac shaft. Counterweight includes shaft to connect paddle. Custom length, maximum length 14'.	Call for price	2&H
	ft. of vertical mounted flexible hanging rotary extension, single flexible Ø 5/16" (8 mm) 316 stainless steel cable covered in FDA Grade Nylon with counterweight and coupler to attach power pac shaft. Counterweight includes shaft to connect paddle. Custom length, maximum length 14'.	Call for price	2&F

1: Custom Bearing End

2: Custom Hanging

ROTARY - CUSTOM

ORDER CODE	DESCRIPTION	LIST PRICE	NOTES
GUARD EXTENSIONS			
AXX	inches of 1" Aluminum guard pipe	Call for price	1
SXX	inches of 1" Stainless steel guard pipe	Call for price	1
GXX	inches of 1-1/4" Galvanized guard pipe	Call for price	2
SXX	inches of 1-1/4" Stainless steel guard pipe	Call for price	2
PADDLES			
P01	GRP-1 - Triple-bladed, stainless steel paddle for light weight materials, paddle turns in a 7" diameter, blades are 2" wide	Call for price	1, 2
P02	GRP-2 - Triple-bladed, stainless steel paddle for average weight materials, paddle turns in a 5" diameter, blades are 1-1/2" wide	Call for price	1, 2
P03	GRP-3 - Single-blade, stainless steel paddle for average to heavy weight materials, paddle is 2-1/2" long and turns in a 5" diameter, insertable paddle blade is 1/8" thick and 1" wide	Call for price	1, 2
P11	GRP-11 - High strength nylon paddle for lightweight materials, triple-bladed paddle turns in a 7" diameter, blades are 2" wide	Call for price	1, 2
P12	GRP-12 - High strength nylon paddle for average weight materials, triple-bladed paddle turns in a 5" diameter, blades are 1.5" wide	Call for price	1, 2
P22	GRP-22 - Triple-bladed, stainless steel paddle for average to heavy weight materials, turns in a 5" diameter, paddle blades are 1/8" thick and 1" wide	Call for price	1, 2
P23	GRP-23 - Single bayonet blade, stainless steel paddle for high level control in light and medium materials and low level control in light materials, insertable paddle blade is 1/8" thick and 1" wide	Call for price	1, 2
P24	GRP-24 - 12" Belt paddle for high level control in heavy materials with large particle size	Call for price	1, 2
P25	GRP-25 - Triple-bladed, stainless steel paddle for very light materials, paddle turns in a 5" diameter, blades are 5" tall and 1/16" thick	Call for price	1, 2
P26	GRP-26 - Triple-bladed, stainless steel paddle for light weight materials, paddle turns in a 7" diameter, blades are 2" wide, direct connect paddle that eliminates the need for GRSS-1 coupler	Call for price	1, 2
P27	GRP-27 - Single bayonet blade, stainless steel paddle for high level control in light and medium materials and low level control in light materials, insertable paddle blade is 1/8" thick and 1" wide, direct connect paddle that eliminates the need for GRSS-1 coupler	Call for price	1, 2
P28	GRP-28 - Triple-bladed, stainless steel paddle for extremely light materials, paddle turns in a 7" diameter, blades are 5" tall and 1/16" thick	Call for price	1, 2
P29	GRP-29 - Triple-bladed, stainless steel paddle for very light materials, paddle turns in a 5" diameter, blades are 5" tall and 1/16" thick, direct connect paddle that eliminates the need for GRSS-1 coupler	Call for price	1, 2

1: Custom Bearing End
2: Custom Hanging

ROTARY - CUSTOM

ORDER CODE	DESCRIPTION	LIST PRICE	NOTES
PADDLES			
P30	GRP-30 - Triple-bladed, stainless steel paddle for average weight materials, paddle turns in a 5" diameter, blades are 1-1/2" wide, direct connect paddle that eliminates the need for GRSS-1 coupler	Call for price	1, 2
P31	GRP-31 - Single-bladed, stainless steel paddle for medium to heavy materials, paddle turns in a 6.5" diameter, blade is 3.25" long, 1.63" wide and 1/8" thick	Call for price	1, 2
P34	GRP-34 - Folding, single-bladed, insertable paddle for medium materials will fold to insert through a 1-1/4" or 1-1/2" process connection, turns in a 7.5" diameter, blades are 1-1/2" wide, direct connect paddle that eliminates the need for GRSS-1 coupler	Call for price	1, 2
P35	GRP-35 - Folding, double-bladed, insertable paddle for medium materials will fold to insert through a 1-1/4" or 1-1/2" process connection, turns in a 7.5" diameter, blades are 1-1/2" wide, direct connect paddle that eliminates the need for GRSS-1 coupler	Call for price	1, 2
P36	GRP-36 - Threaded, folding, single-bladed, insertable paddle for medium materials will fold to insert through a 1-1/4" or 1-1/2" process connection, turns in a 7.5" diameter, blades are 1-1/2" wide, for use with standard threaded coupler	Call for price	1, 2
P37	GRP-37 - Threaded, folding, double-bladed, insertable paddle for medium materials will fold to insert through a 1-1/4" or 1-1/2" process connection, turns in a 7.5" diameter, blades are 1-1/2" wide, for use with standard threaded coupler	Call for price	1, 2
ACCESSORIES			
	Rotary fitting to allow 1" guard pipe extensions to be adjusted for variable insertion lengths. The fitting threads into BinMaster 1-1/4" mounting plate and has set screws to allow variable height adjustments.	Call for price	1
	1" Galvanized NPT female coupler to attach guard pipes together	Call for price	1
	1" Stainless steel NPT female coupler to attach guard pipes together	Call for price	1

1: Custom Bearing End

2: Custom Hanging

ROTARY - MINI

ORDER CODE	DESCRIPTION	LIST PRICE	PART NUMBER
MINI-ROTARY COMPLETE UNITS			
MR-G-110	MR-G-110 - Mini-Rotary with 4-vane, polycarbonate paddle, complete with SPDT contacts	Call for price	730-0350
MR-G-220	MR-G-220 - Mini-Rotary with 4-vane, polycarbonate paddle, complete with SPDT contacts	Call for price	730-0352
MR-G-24	MR-G-24 - Mini-Rotary with 4-vane, polycarbonate paddle, complete with SPDT contacts	Call for price	730-0392
MR-H-100	MR-H-110 - Mini-Rotary with insertable bayonet polycarbonate paddle, complete with SPDT contacts	Call for price	730-0351
MR-H-220	MR-H-220 - Mini-Rotary with insertable bayonet polycarbonate paddle, complete with SPDT contacts	Call for price	730-0353
MR-I-100	MR-I-110 - Mini-Rotary with single-vane, stainless steel rectangular paddle, complete with SPDT contacts	Call for price	730-0354
MR-I-220	MR-I-220 - Mini-Rotary with single-vane, stainless steel rectangular paddle, complete with SPDT contacts	Call for price	730-0355
MINI-ROTARY PADDLES & ACCESSORIES			
G	Mini-Rotary 4-vane, polycarbonate paddle turns in a 3.2" diameter, paddle blades are 1.25" wide	Call for price	299-0936
H	Mini-Rotary insertable bayonet polycarbonate paddle, turns in a 5" diameter	Call for price	299-0937
I	Mini-Rotary single-vane, stainless steel rectangular paddle turns in a 4" diameter, paddle blades are 1.2" wide	Call for price	299-0938