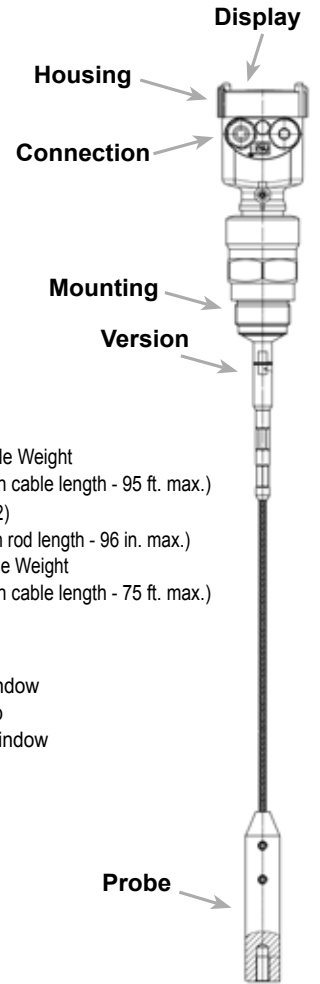


GUIDED WAVE RADAR

Mark X if none											
						X				X	
Sample											
GW2.	IX	F	TH	F	H	X	A	N	A	X	-R36



Probe / Rod

- CXX: 8 mm Cable Weight
(Replace XX with cable length - 95 ft. max.)
- RXX: 5/8" Rod (2)
(Replace XX with rod length - 96 in. max.)
- KXX: 4 mm Cable Weight
(Replace XX with cable length - 75 ft. max.)

Display

- X: X - No Bindisc - No Window
- A: A - Bindisc Top Mounted with Window
- F: F - No Bindisc - With Window Top
- B: B - Bindisc Side Mounted with Window

Connection

- N: N - Two 1/2" NPT / blind plug
- Q: Q - Two 1/2" NPT / without plug

Housing

- A: A - Aluminium single chamber (1, 2)
- K: K - Plastic single chamber (1, 2)
- 8: 8 - Stainless steel single chamber (1, 2)
- R: R - Plastic double chamber (1, 2)
- D: D - Aluminium double chamber (1, 2)
- W: W - Stainless steel double chamber (1, 2)

Output

- H: H - Two wire 4-20mA (1, 2)
- U: U - Four-wire Modbus (1, 2)
- I: I - Four-wire 4-20mA (1, 2)
- B: B - Four-wire 4-20mA (1, 2)

Seal

- H: H - EPDM (1, 2)
- K: K - FFKM (1, 2)
- F: F - FKM (1, 2)

Mounting

- TH: TH - 1.5" NPT Threaded (1, 2)
- TK: TK - 2.0" NPT Threaded (1, 2)
- AB: AB - 2" Flange (1, 2)
- AD: AD - 3" Flange (1, 2)

Version

- F: F - Connection for 8 mm cable or 5/8" rod (1, 2)
- A: A - Connection for 4 mm cable (1, 2)

Approvals

- CC: CC - CSA (IS) Class I (1, 2)
- CD: CD - CSA (XP-AIS) Class I (1, 2)
- CE: CE - CSA (XP) Class I (1, 2)
- CR: CR - CSA (DIP) Class II (1, 2)
- IX: IX - Designed for unclassified area (1, 2)
- FC: FC - FM (IS) Class I, II, III (1, 2)
- FD: FD - FM (XP-AIS) Class I (1, 2)
- FR: FR - FM (DIP) Class II (1, 2)
- FE: FE - FM (XP) Class I (1, 2)

Power Pac
GW2.

1: Cable
2: Rod

GUIDED WAVE RADAR

ORDER CODE	DESCRIPTION	LIST PRICE	NOTES
POWER PAC			
GW2.	GWR-2000 Guided Wave Radar	Call for price	
APPROVALS			
CC	Approvals: CC - CSA (IS) Class I, II, III, Div 1, Groups A, B, C, D, E, F, G	Call for price	1, 2
CD	Approvals: CD - CSA (XP-AIS) Class I, Div 1, Groups A, B, C, D, (DIP-AIS) Class II, III Div 1, Groups E, F, G	Call for price	1, 2
CE	Approvals: CE - CSA (XP) Class I, Div 1, Groups A, B, C, D, (DIP) Class II, III Div 1, Groups E, F, G	Call for price	1, 2
CR	Approvals: CR - CSA (DIP) Class II, DIV 1 Groups E, F, G	Call for price	1, 2
IX	Approvals: IX - Designed for unclassified area, non-EX environment	Call for price	1, 2
FC	Approvals: FC - FM (IS) Class I, II, III, Div 1, Groups A, B, C, D, E, F, G	Call for price	1, 2
FD	Approvals: FD - FM (XP-AIS) Class I, Div 1, Groups A, B, C, D, (DIP-AIS) Class II, III Div 1, Groups E, F, G	Call for price	1, 2
FR	Approvals: FR - FM (DIP) Class II, DIV 1 Groups E, F, G	Call for price	1, 2
FE	Approvals: FE - FM (XP) Class I, Div 1, Groups A, B, C, D, (DIP) Class II, III Div 1, Groups E, F, G	Call for price	1, 2
VERSION			
A	Version: A - Threaded connection to sensor for 4 mm cable	Call for price	1, 2
F	Version: F - Threaded connection to sensor for 8 mm cable or 5/8" rod	Call for price	1, 2
MOUNTING			
TH	Mounting: TH - 1.5" NPT PN40, ASME B1.20.1 / 316L	Call for price	1, 2
TK	Mounting: TH - 2.0" NPT PN40, ASME B1.20.1 / 316L	Call for price	1, 2
AB	Mounting: AB - 2" 150lb RF, ASME B16.5 / 316/316L	Call for price	1, 2
AD	Mounting: AB - 3" 150lb RF, ASME B16.5 / 316/316L	Call for price	1, 2
AG	Mounting: AG - 4" 150lb RF, ASME B16.5 / 316/316L	Call for price	1, 2
SEAL			
H	Seal: H - EPDM (A+P 75.5 / KW75F) / -40°F to +302°F (150°C)	Call for price	1, 2
K	Seal: K - FFKM (Kalrez 6375) / -4°F (20°C) to +392°F (200°C)	Call for price	1, 2
F	Seal: F - FKM (SHS FPM 70C3 GLT) / -40°F to +302°F (150°C)	Call for price	1, 2
OUTPUT			
H	Output: H - Two wire 4-20mA / HART®; 12-35V DC	Call for price	1, 2
U	Output: U - Four-wire Modbus (Requires Dual Chamber Housing); 8-30V DC	Call for price	1, 2
I	Output: I - Four-wire 4-20mA / HART®; 9.6-48V DC; 20-42V AC (Requires Dual Chamber Housing)	Call for price	1, 2
B	Output: B - Four-wire 4-20mA / HART®; 9.6-48V DC; 20-42V AC (Requires Dual Chamber Housing)	Call for price	1, 2

1: Cable

2: Rod

GUIDED WAVE RADAR

ORDER CODE	DESCRIPTION	LIST PRICE	NOTES
HOUSING			
A	Housing: A - Aluminium single chamber / IP66/IP68 (0.2bar)	Call for price	1, 2
K	Housing: K - Plastic single chamber / IP66/IP67	Call for price	1, 2
8	Housing: 8 - Stainless steel single chamber (electropolished) / IP66/IP68 (0.2 bar)	Call for price	1, 2
R	Housing: R - Plastic double chamber / IP66/IP67	Call for price	1, 2
D	Housing: D - Aluminium double chamber / IP66/IP67	Call for price	1, 2
W	Housing: W - Stainless steel double chamber / IP66/IP67	Call for price	1, 2
CONNECTION			
N	Cable Entry: N - Two ½" NPT / blind plug in one opening	Call for price	1, 2
Q	Cable Entry: Q - Two ½" NPT / without plug in either opening	Call for price	1, 2
DISPLAY			
X	Display: X - Without inspection window or BinDisc	Call for price	1, 2
A	Display: A - Bindisc top mounted with display window	Call for price	1, 2
F	Display: F - Top mounted BinDisc with inspection window	Call for price	1, 2
B	Display: B - Side mounted BinDisc with window	Call for price	1, 2
PROBE / ROD			
-CXX	ft. Single flexible 8 mm diameter 316 stainless steel cable, with counter weight (95 ft. maximum)	Call for price	1
-RXX	in. solid 5/8" diameter 316 stainless steel sensing rod (96 in. maximum)	Call for price	2
-KXX	ft. Single flexible 4 mm diameter 316 stainless steel cable, with counter weight (75 ft. maximum)	Call for price	1
MOUNTING PLATE			
730-0633	GRMP-18 - 30° 1.5" NPT Powder coated carbon steel mounting plate with half coupling	Call for price	1, 2

1: Cable

2: Rod